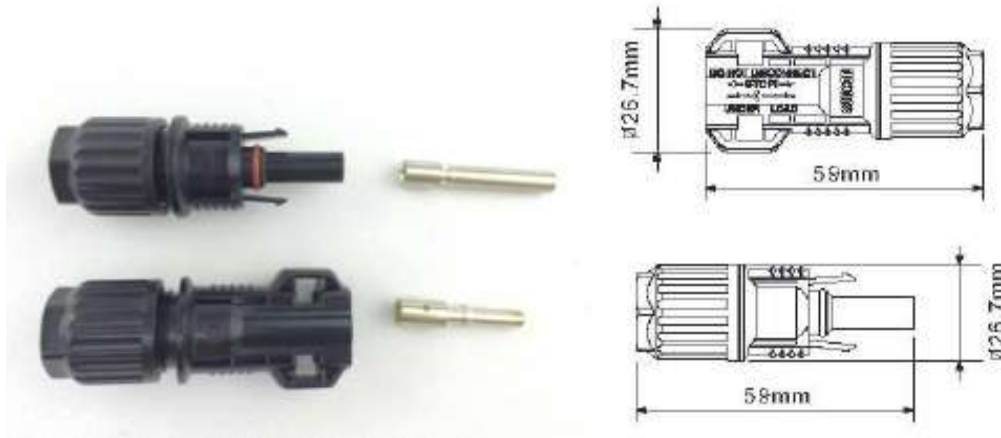


Synergy Telecom P Ltd.

Part No- RO-1-10 Solar Connector

MC4 CONNECTOR SUITABLE FOR 10 SQ MM CABLE



Main Specialty

- All the Connection made by double fixed Connection
- Low power loss
- With the capacity of anti-aging and resistance to ultraviolet radiation on the outer cover
- With convenient installation, strong Commonality
- To meet the using requirement under bad outdoor Condition

Technical Data

Insulation Materi-

<i>Suitable Current</i>	65 A
<i>Rated Voltage</i>	1000V (TUV), 600V (UL)
<i>Contact Resistance</i>	<0.5 mΩ
<i>Degree of Protection</i>	IP67
<i>Ambient Temperature Range</i>	-40°C ~ +85°C
<i>Flame Class</i>	UL 94-V0
<i>Safety Class</i>	II
<i>Pin Dimension</i>	Φ4mm
<i>Conductor Cross Section</i>	8 AWG 10.0mm ²

WZ-47 BUDHELLA VILLAGE, VIKASPURI, NEW DELHI – 110018
PHONE: 011-28533349, MOB: 9810138894/9212558066, FAX: 011-28533349
EMAIL: info@rfconnector.in, WEBSITE: <http://rfconnector.in/>