
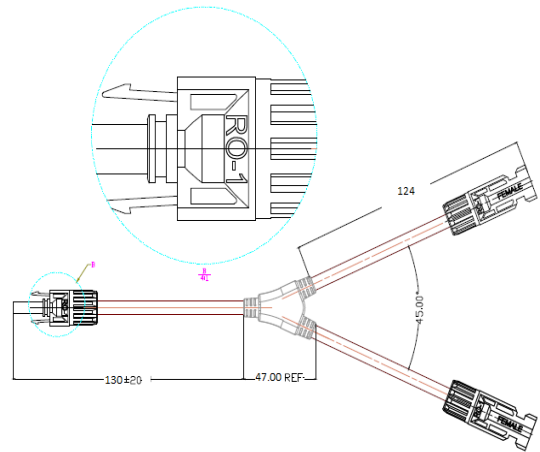
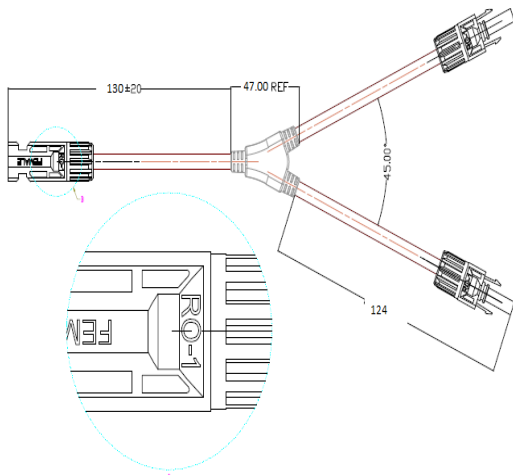


# Synergy Telecom P Ltd.

Name	Solar connectors	Model	RO-Y (MC4)
			



Subject	Product Detailed Information
Type of appliance	PV Component Connector
Trademark	REOO
Model No.	RO-1Y
Rated Voltage (VDC)	1000
Rated Impulse Voltage (V)	8000
Rated Current (A)	25A
Pollution Degree (1/2/3/4)	3
Overvoltage Category	III
Low Ambient Temperature (°C)	-40°C
Upper Ambient Temperature (°C)	+90°C
Enclosure Rating ( RTI and Flammability Class)	UL94-V0
Value Range of Cable Clamp	5.5-6.3mm diameter for cable
Rated Cross Section of Conductor	2.5mm <sup>2</sup> or 4mm <sup>2</sup>
Degree of Protection (IP Code)	IP67
Plug Power	30N-80N
Contact Material	Copper
Insulation Material	PPO
Authentication	CE TUV
Certificate Number	1009260/1009261(CE) B100773868005
Wire length	70mm

**WZ-47 BUDHELLA VILLAGE, VIKASPURI, NEW DELHI – 110018**

**PHONE: 011-28533349, MOB: 9810138894/9212558066, FAX: 011-28533349**

**EMAIL: [info@rfconnector.in](mailto:info@rfconnector.in), WEBSITE: <http://rfconnector.in/>**