

Technical Specification

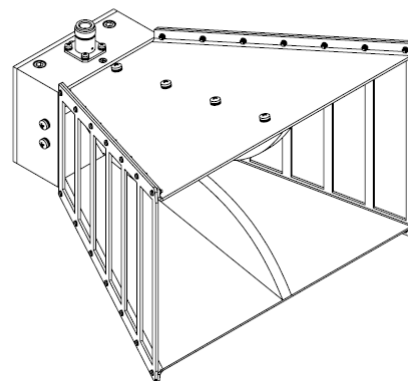
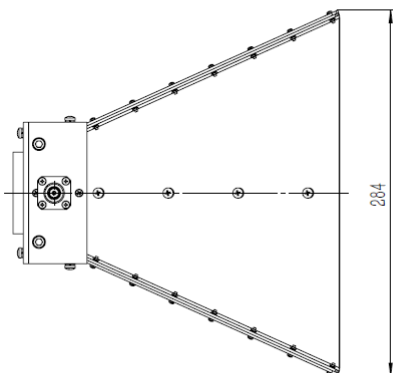
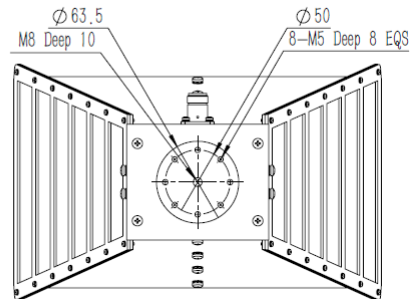
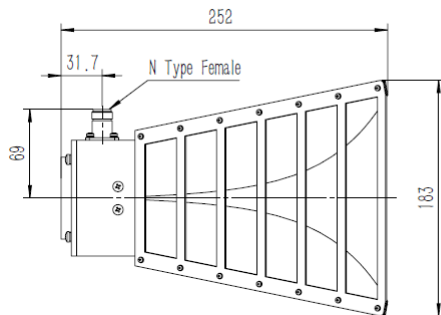


Frequency Range(GHz)	0.8 – 8.0
Gain(dBi)	10 Typ.
Polarization	Linear
3dB Beamwidth(deg)	E Plane: 26 - 110
	H Plane: 24 - 67
Cross Pol. Isolation(dB)	30 Typ.
VSWR	1.5:1 Typ.
Connector	N-Female
	or SMA-Female
Power Handling(W)	N-Female: 300 Max. CW
	SMA-Female: 50 Max. CW
Material	Al
Size(mm)	284 x 183 x 252
Net Weight(Kg)	2.1 Around

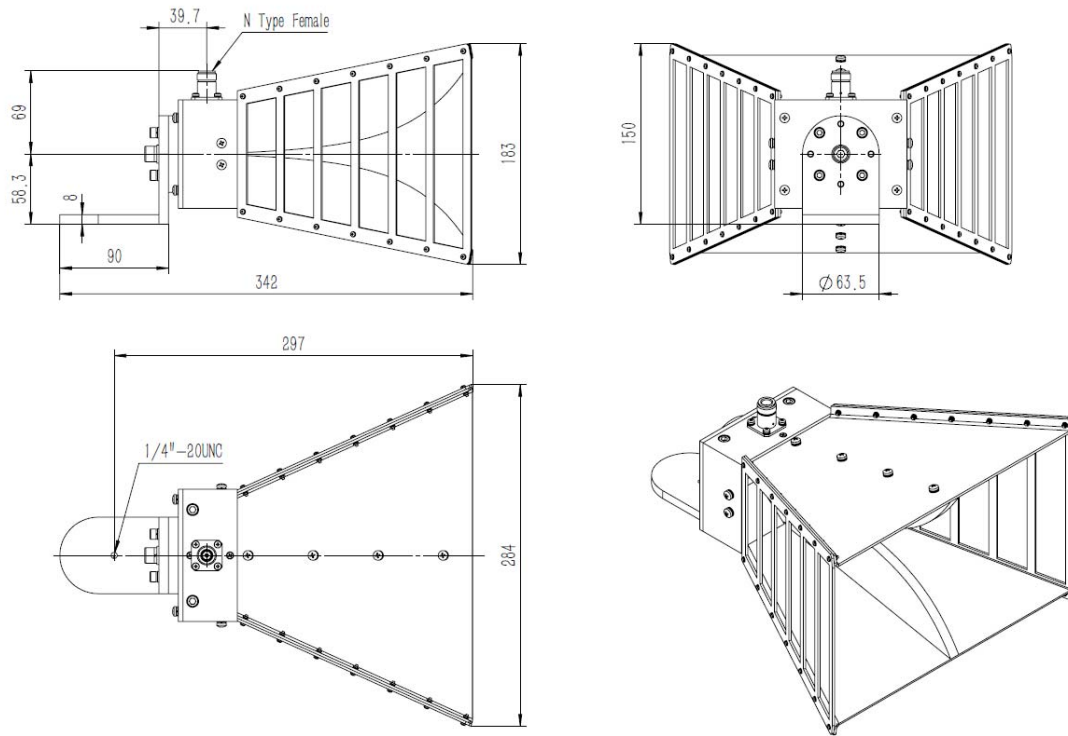
Outline Drawing (Size: mm)

N-Female Output

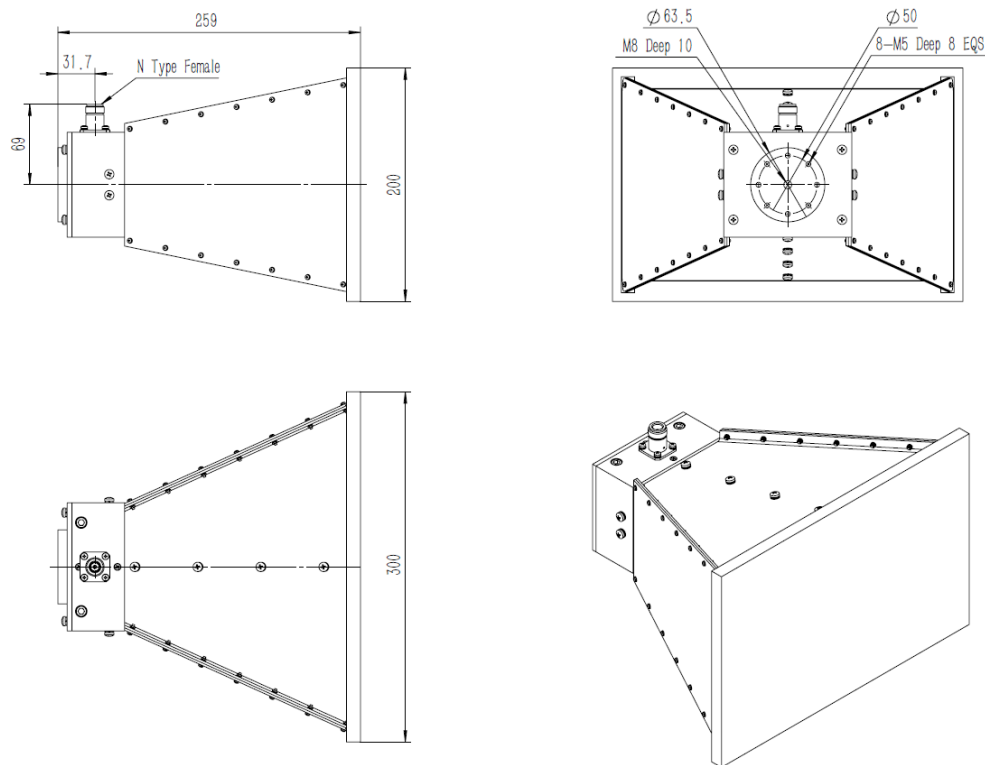
For SMA-Female output outline drawing,



N-Female Output with L type Mounting Bracket For SMA-Female output outline drawing,

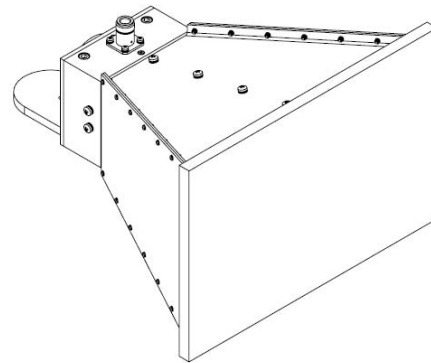
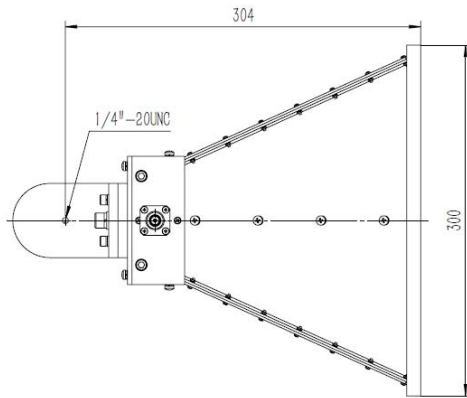
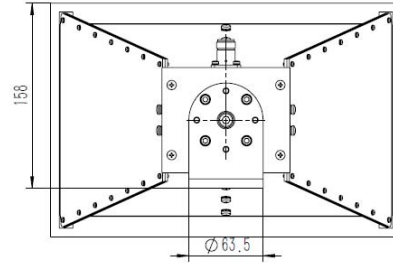
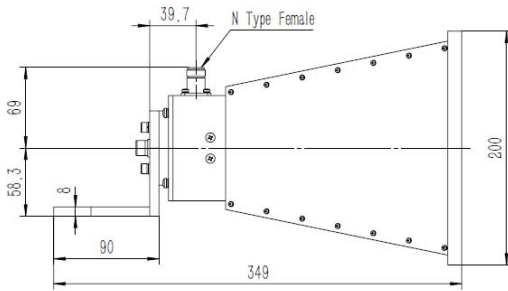


N-Female Output with Radome For SMA-Female output outline drawing,



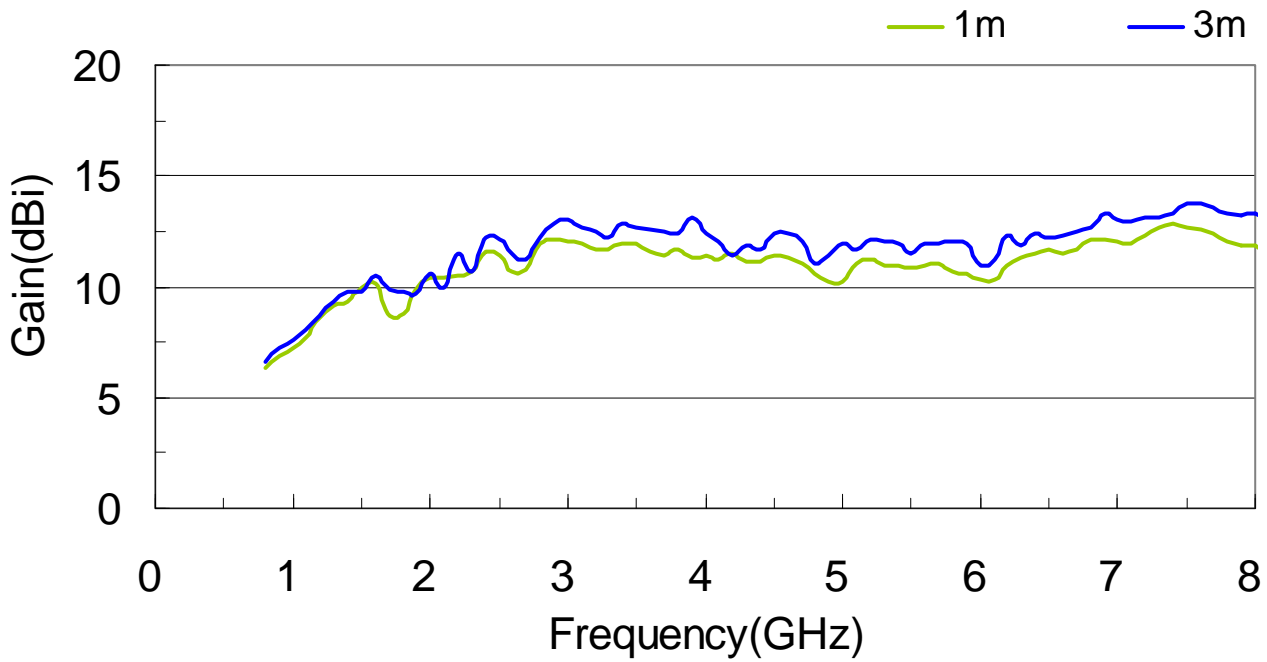
N-Female Output with L type Mounting Bracket and Radome

For SMA-Female output outline drawing,

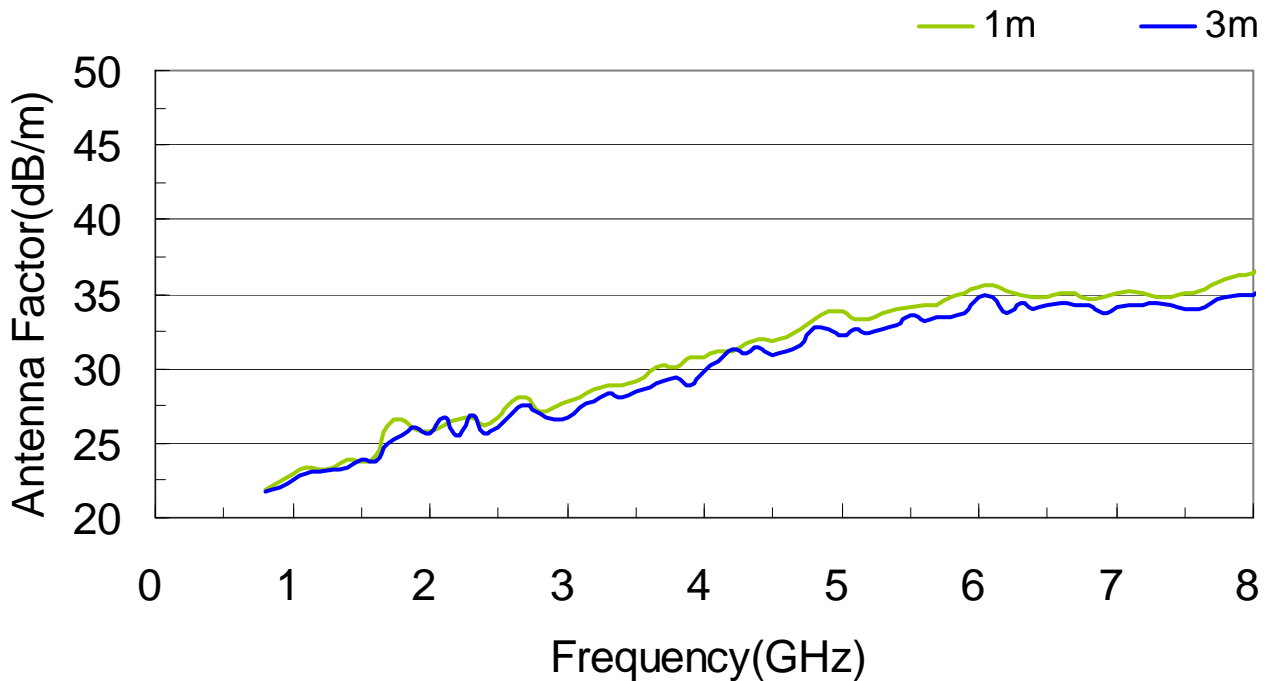


Test Results

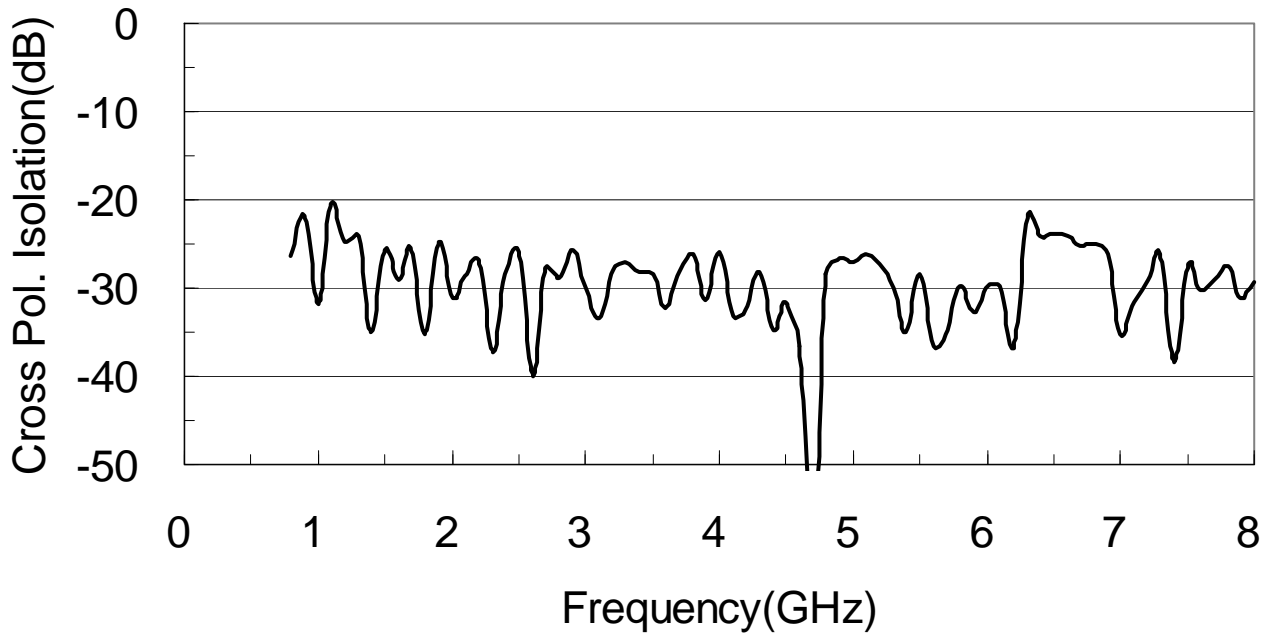
1. Gain



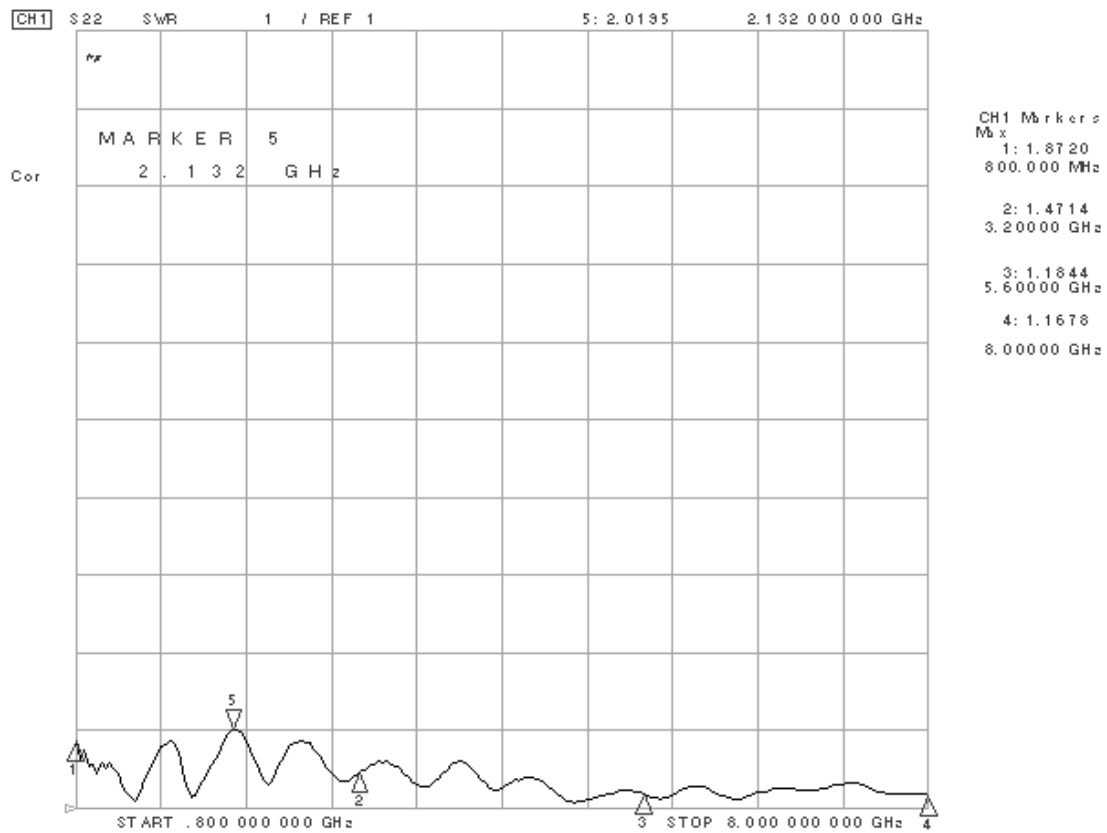
2. Antenna Factor



3. Cross Polarization Isolation

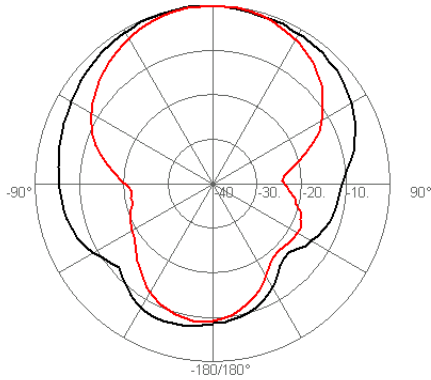


4. VSWR



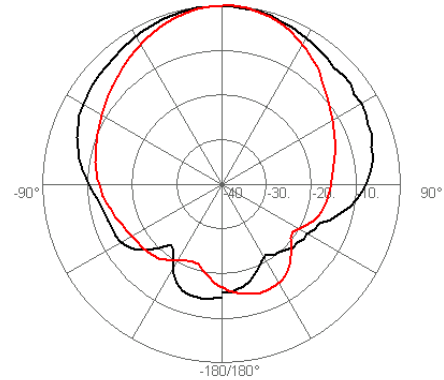
5. Pattern

Frequency: 0.8GHz



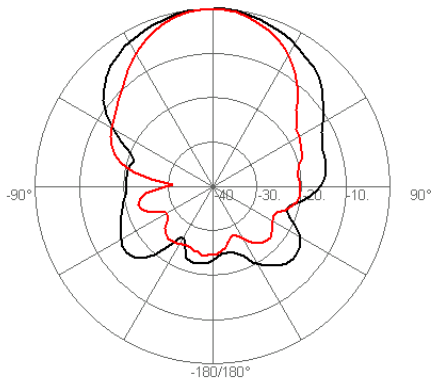
H-Plane ——— E-Plane ———
 3dB Beamwidth (deg): 66.16 3dB Beamwidth (deg): 109.75

Frequency: 1GHz



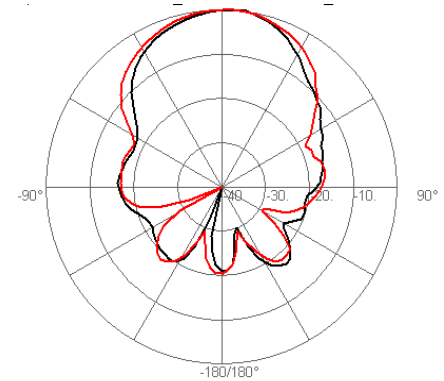
H-Plane ——— E-Plane ———
 3dB Beamwidth (deg): 52.08 3dB Beamwidth (deg): 81.09

Frequency: 1.5GHz



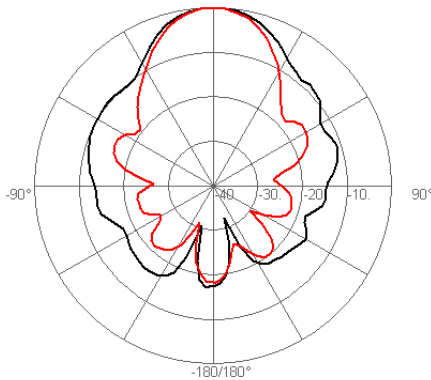
H-Plane ——— E-Plane ———
 3dB Beamwidth (deg): 42.58 3dB Beamwidth (deg): 62.46

Frequency: 2GHz



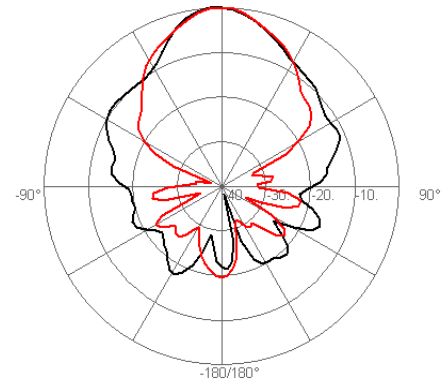
H-Plane ——— E-Plane ———
 3dB Beamwidth (deg): 53.97 3dB Beamwidth (deg): 44.74

Frequency: 2.5GHz



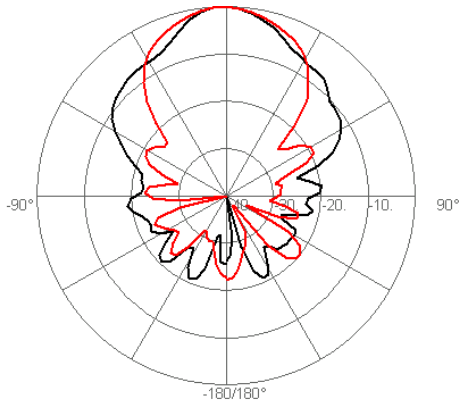
H-Plane ——— E-Plane ———
 3dB Beamwidth (deg): 31.06 3dB Beamwidth (deg): 36.59

Frequency: 3GHz



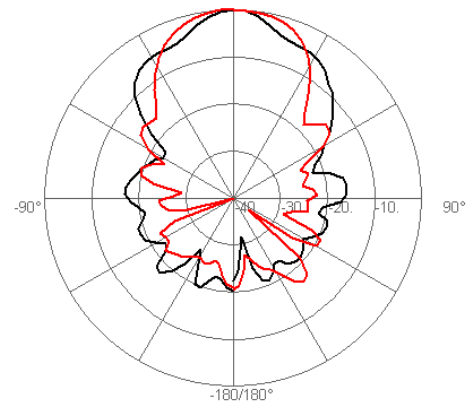
H-Plane ——— E-Plane ———
 3dB Beamwidth (deg): 29.23 3dB Beamwidth (deg): 29.62

Frequency: 3.5GHz



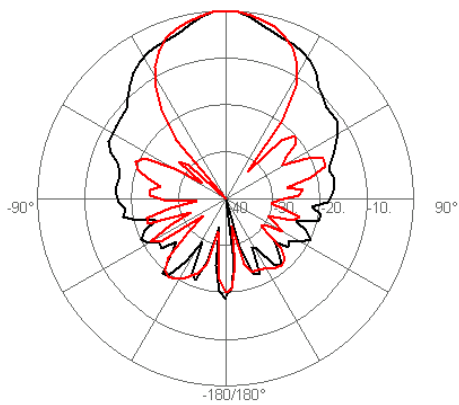
H-Plane ——— E-Plane ———
 3dB Beamwidth (deg): 37.57 3dB Beamwidth (deg): 29.13

Frequency: 4GHz



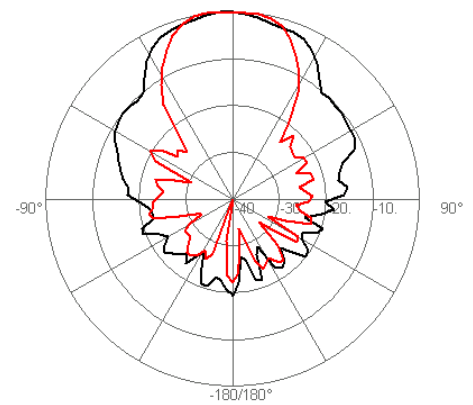
H-Plane ——— E-Plane ———
 3dB Beamwidth (deg): 42.50 3dB Beamwidth (deg): 26.12

Frequency: 4.5GHz



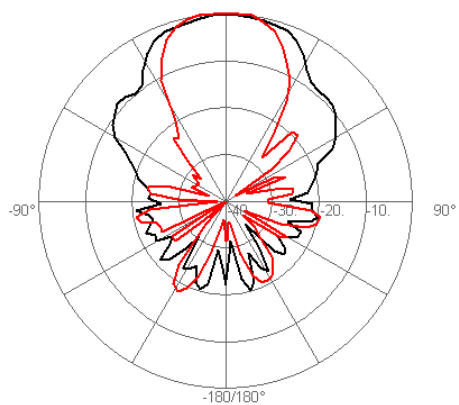
H-Plane ——— E-Plane ———
 3dB Beamwidth (deg): 37.49 3dB Beamwidth (deg): 29.68

Frequency: 5GHz



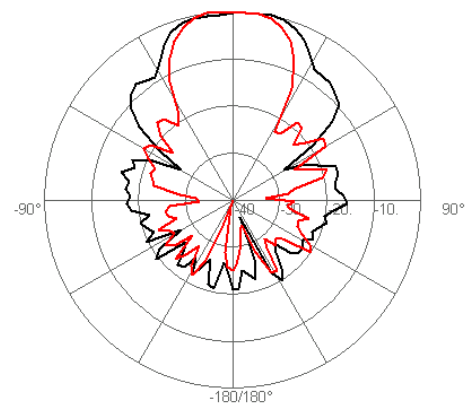
H-Plane ——— E-Plane ———
 3dB Beamwidth (deg): 39.18 3dB Beamwidth (deg): 52.14

Frequency: 5.5GHz



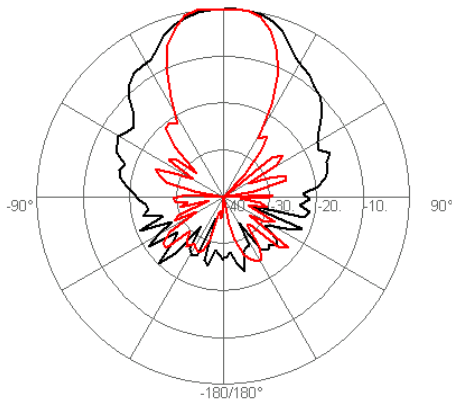
H-Plane ——— E-Plane ———
 3dB Beamwidth (deg): 36.51 3dB Beamwidth (deg): 49.94

Frequency: 6GHz



H-Plane ——— E-Plane ———
 3dB Beamwidth (deg): 35.72 3dB Beamwidth (deg): 46.19

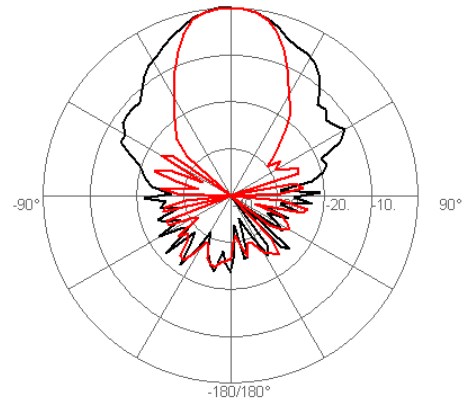
Frequency: 6.5GHz



H-Plane ——— E-Plane ———

3dB Beamwidth (deg): 32.15 3dB Beamwidth (deg): 39.79

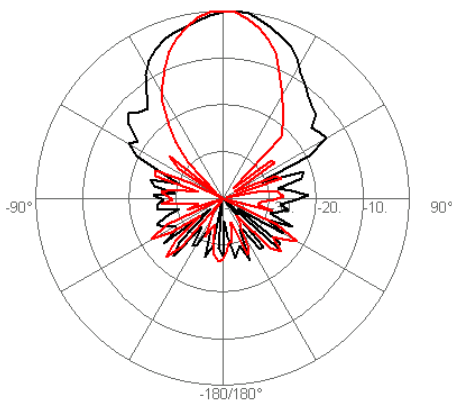
Frequency: 7GHz



H-Plane ——— E-Plane ———

3dB Beamwidth (deg): 28.20 3dB Beamwidth (deg): 33.94

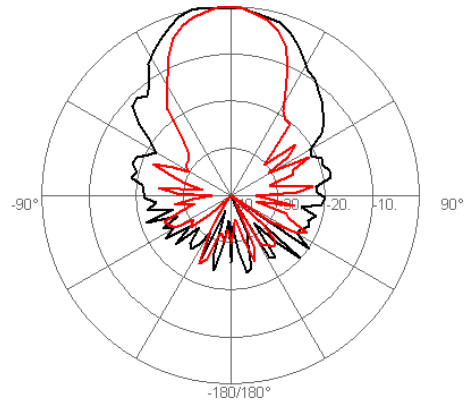
Frequency: 7.5GHz



H-Plane ——— E-Plane ———

3dB Beamwidth (deg): 24.65 3dB Beamwidth (deg): 33.50

Frequency: 8GHz



H-Plane ——— E-Plane ———

3dB Beamwidth (deg): 30.79 3dB Beamwidth (deg): 40.86

WZ-47 BUDHELLA VILLAGE ,VIKASPURI NEW DELHI-110018

Phone: 011-28533349, Mob: 9810138894/9212558066, Fax: 011-28533349

Email:- info@rfconnector.in, Website:- www.rfconnector.in