

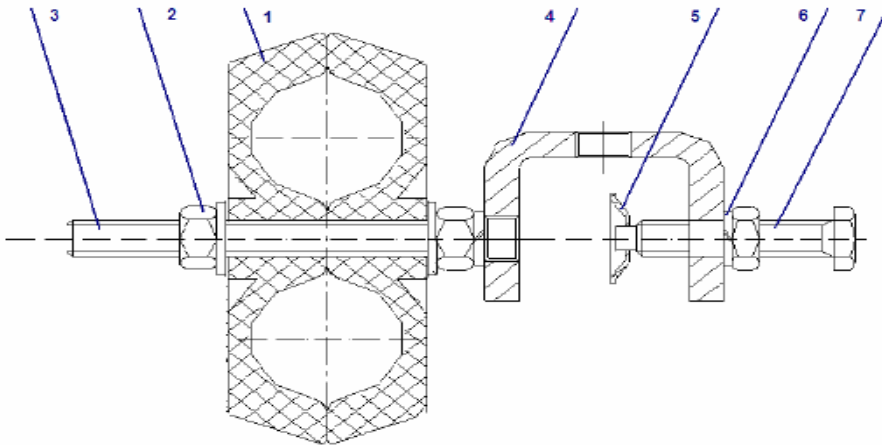
Synergy Telecom P Ltd.

2 Way Feeder Clamp BS For 7/8"

Product Name: Cable clamp with Adaptor fixing kit set for 7/8" cable Two way
Cable Out-Jacket Diameter: 27.5mm or 1.08 Inch. **Mounting Profile:**3-25mm

Specifications

Item No.	Part Name	Material Code	Material & Description	Quantity
1	Cable Clamp Dual		Transnature Polypropylene	1 Pairs
2	Screw Nut		SUS304, Stainless Stell, M8	3
3	Threaded Rod		SUS304, Stainless Steel,M8x80	1
4	C Clamping Part		Q235, Dacromet Coating Steel, 6mm	1
5	Clamping Plate		SUS304 Stainless Steel, 1mm	1
6	Threaded Bolt		SUS304 Stainless Steel, M8x45mm	1
7	Washer		SUS304 stainless steel, M8, 2&1mm	4



Anti-Strength: >3000N
Temperature: -40~+70 deg
Dimensions: (LxWxH) 146x40x80mm
Net Weight: 0.25 kg

