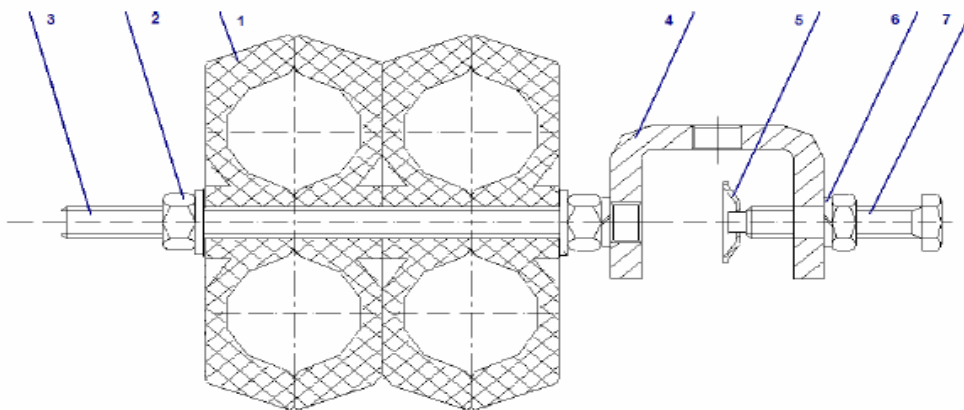


Synergy Telecom P Ltd.

4Way Feeder Clamp BS For 7/8"

Product Name: Cable clamp with Adaptor fixing kit set for 7/8" cable four way
Cable Out-Jacket Diameter: 27.5mm or 1.08 Inch. **Mounting Profile:** 3-25mm
Specifications

Item No.	Part Name	Material Code	Material & Description	Quantity
1	Cable Clamp Dual	Transnature Polypropylene		2 Pairs
2	Screw Nut	SUS304, Stainless Stell, M8		3
3	Threaded Rod	SUS304, Stainless Steel, M8x120		1
4	C Clamping Part	Q235, Dacromet Coating Steel, 6mm		1
5	Clamping Plate	SUS304 Stainless Steel, 1mm		1
6	Threaded Bolt	SUS304 Stainless Steel, M8x45mm		1
7	Washer	SUS304 stainless steel, M8, 2&1mm		4



Anti-Strength: >3000N
Temperature: -40~+70 deg
Dimensions: (LxWxH) 186x40x80mm
Net Weight: 0.40 kg

