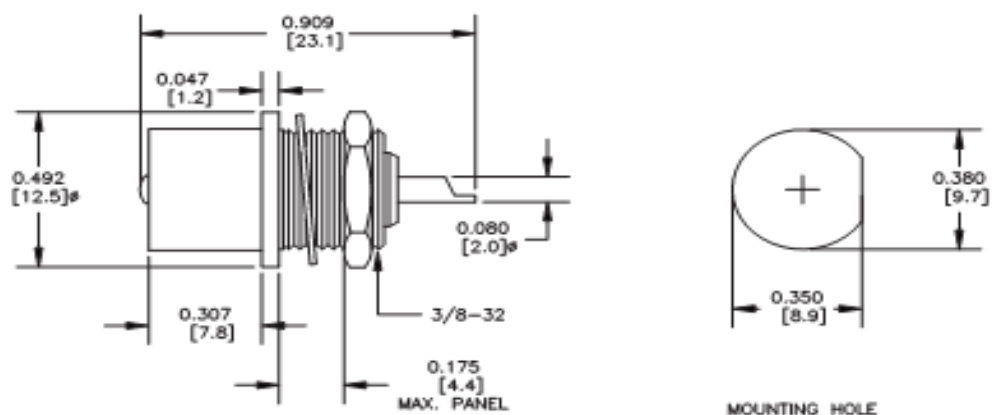


Synergy Telecom P Ltd.

FME FEMALE BULKHEAD CONNECTOR SOLDER



MECHANICAL SPECIFICATION

Impedance	50 ohms
Connector	FME plug
Connector Interfact type	solder Cup
Body Style	Straight
Mount method	Bulkhead
Width/Dia, in [mm]	0.492 [12.50]
Length in mm	0.99 [25 .15]

MATERIAL SPECIFICATION

Contact material and plating	Brass, Gold
Body material and plating	Brass, Nickel
Dielectric Type	PTFE

WZ-47 BUDHELLA VILLAGE ,VIKASPURI NEW DELHI-110018

Phone: 011-28533349, Mob: 9810138894/9212558066, Fax: 011-28533349

Email:- info@rfconnector.in, Website:- www.rfconnector.in