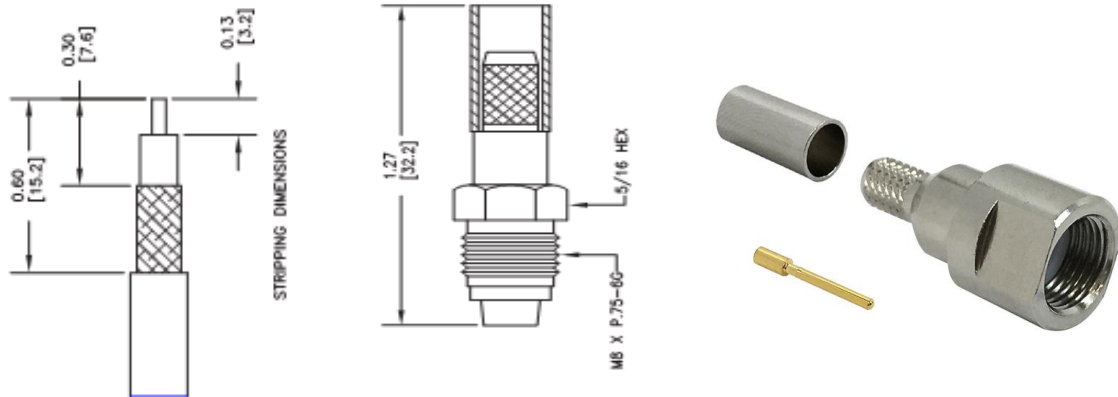


Synergy Telecom P Ltd.

FME MALE CONNECTOR CRIMP

(for rg58, rg303, rg141, lmr195)



MECHANICAL SPECIFICATION

Impedance	50 ohms
Connector	FME Jack Connector
Length	1.268 in [32.21 mm]
Width/Dia.	0.315 in [8.00 mm]

MATERIAL SPECIFICATION

Desc.	Material	Plating
Contact	Brass	Gold
Insulation	PTFE	
Body	Brass	Ni

WZ-47 BUDHELLA VILLAGE ,VIKASPURI NEW DELHI-110018
Phone: 011-28533349, Mob: 9810138894/9212558066, Fax: 011-28533349
Email:- info@rfconnector.in, Website:- www.rfconnector.in